

TECHNICAL

Product Datasheet

HANDHELD METAL DETECTOR



A handheld metal detector suitable for any condition, environment and venue with self-calibrating sensitivity, constant detection ability and range even with low battery, multiple alerts settings (buzzer or vibration alarms), out of charge warning by continuous buzz and alarm, low power consumption, battery lasts more than 100 hours continuously.



GD-HH-FMD

DETECTOR SPECIFICATIONS

Detector

Sensitivity	Self-calibrating Sensitivity by the On-board Microprocessor
Operating Detection Frequency	95 KHz
Alarm Method	Buzzer / Vibration (Selectable by 3-Way Button)
LED Indicator	Green (On), Yellow (Low Battery), and Red (Metal Detected)
Idle Mode	In Case of No Motion for 5 Seconds, Detector will Automatically Reduce Sensitivity to Conserve Power

Detection & Performance

Detection Range	SPin 1.18 to 2.36 Inches (30 to 60 mm) Coin 3.94 to 5.12 Inches (100 to 130 mm) Knife 5.12 to 6.30 Inches (130 to 160 mm) Gun 7.62 to 9.20 Inches (194 to 234 mm)
-----------------	--

Electrical

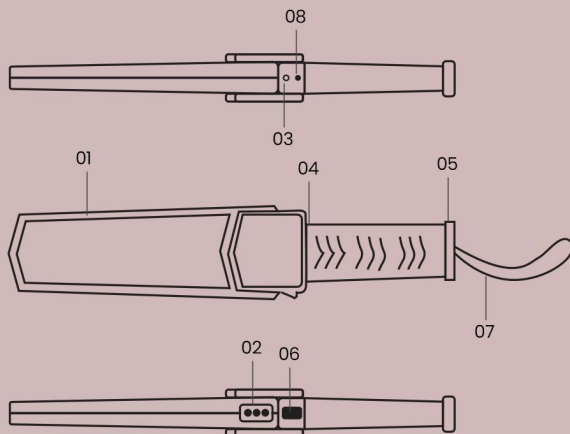
Power Supply	9V Batteries (Rechargeable Batteries are Optional)
Battery	100 Hours Continuously (Without Recharging)
Operating Voltage	7 to 12 VDC
Operating Current	10 mA

Mechanical

Dimensions	16.53 (L) x 3.54 (W) x 1.77 (H) Inches (420 x 90 x 45 mm)
Package Dimensions	20.47 (L) x 3.93 (W) x 1.96 (H) Inches (520 x 100 x 50 mm)
Net Weight	0.97 Lbs (440 grams)
Operating Temperature	-4 to 158 °F (-20 to +70 °C)
Operating Humidity	10 % to 90 % (non-condensing)
Ingress Protection	NEMA 4 (IP65)
Impact Resistance	IK08 - Drop Test Method

Regulatory Compliance

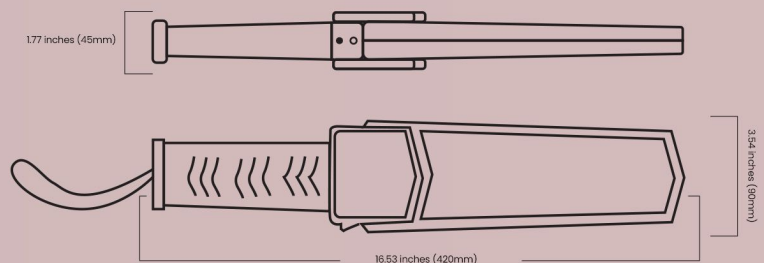
Meets International ECAC and STAC Security Standards
Meets NIJ 0602.02 and NIJ 0602.03 Standards for Metal Detection
Meets EN 61010 Regulations for Electrical Safety
Meets International EMC and CE Regulations and Standards



DETECTOR DIAGRAM

1. 8" Detection Coil
2. LED Alerts
3. Earphone/Recharger Jack
4. Internal Sensitivity Adjustment
5. Battery Cover
6. 3-way Power Switch (Audible-Off-Silent)
7. Wrist Strap
8. Interface Elimination Button Power Socket
9. Buzzer/Vibrator Button

DETECTOR DIMENSIONS



Note: The above pictures and parameters for reference only, the actual product may differ slightly

ORDERING INFORMATION

GD-HH-FMD
GD-HH-RB
GD-HH-FBC

Smart Flat Hand Held Metal Detector
9V Long Life Rechargeable Battery for Hand Held Metal Detectors
Battery Charger for Flat Hand Held Metal Detector Battery



Guardex Safety

Guardex handheld metal detectors meet international regulatory requirements for electromagnetic safety. Guardex handheld metal detectors have undergone safety research to confirm that have no adverse effect and pose no harm to the human body, children, pregnancy or medical devices such as heart pacemakers. However, advice by doctors and medical professionals should be followed regardless of the above when it comes to handheld metal detectors.

Adkinns
HQ | 5063 Commercial Circle,
Concord, CA 94520,
United States
Email | info@guardex.org
Website | www.guardex.org

Guardex warrants all its products against any and all manufacturing defects from the date of product delivery from the factory and/or distribution center. Guardex Lmtd series has a warranty of 3 years

GD-HH-FMD – Datasheet V.002



GUARDEX

©2021, Guardex, Lmtd, all rights reserved . We reserve the right to change the design and specifications without notice. Guardex Lmtd is a specialised security brands that is fully owned by Adkinns Inc.