

TECHNICAL

Product Datasheet

HANDHELD EXPLOSIVE & NARCOTICS

Trace Detector



The GD-HD-XTD is a handheld Explosive and Narcotic Particles Trace Detector, the detector has a sleek, simple, and modern design, a lightweight body, an easy gripping handle, an advanced microprocessor core, and a 2.8" color touch screen for ease of use.

GD-HD-XTD

The GD-HD-XTD supports dual module detection operation for simultaneous detection of both explosives and narcotics using Portable Integrated Microscale Sensors (PIMS) and Dipstick tracking (DT) technologies and has Micro Gram Sensitivity (MGS) to detect a wide range of explosive and narcotic materials.

The GD-HD-XTD has an intelligent design for quick automatic and manual calibration as well as fast detection (2 to 4 seconds), the trace detector supports a memory of the last 2,000 events and can be connected to a workstation via the built-in USB port to download these past events for recording.

The GD-HD-XTD features a rechargeable battery with up to 4 hours of continuous working time and is equipped with a built-in alert buzzer and status LEDs.

The GD-HD-XTD is compliant with most international standards, including trace detector standards, and international airport security standards while meeting the requirements of ATSM, TSA, ECAC, CAAC, and STAC.

DETECTOR SPECIFICATIONS

Trace Detector

Operating Modes	Explosives, Narcotics, and Dual
Detection Technology	Portable Integrated Microscale Sensors (PIMS)
Sampling Technology	Dipstick tracking (DT)
Display	2.8 Inch TFT Color Touch Screen Display
Startup Time	14 Minutes
Events Log	2,000 Events
Workstation Connection	USB Port

Detection & Performance

Sensitivity	100 Nanograms
Detection Speed	2 to 4 Seconds
False Alarm Rate	< 1%

Audible & Visual Alarms

Visual Alarm	Illuminating LEDs
Audible Alarm	Built-in Buzzer

Electrical

Operating Voltage	110 to 220 VAC, 50 / 60 Hz
Power Consumption	< 300 Watts
Battery Size	16.8 VDC, 13 Ah
Battery Capacity	Up to 4 Hours Continuously, 12 Hours on Standby

Mechanical

Dimensions	18.5 (L) x 6.69 (W) x 7.87 (H) Inches (470 x 170 x 200 mm)
Weight	9.36 Lbs. (4.25 Kgs)
Operating Temperature	-4 to 104 °F (-20 to +55 °C)
Operating Humidity	10 % to 90 % (non-condensing)

Regulatory Compliance

Meets International TSA, ECAC, CAAC, and STAC Security Standards
Meets ASTM E2520-07 Standards for Trace Detection
Meets EU 278/2014 Regulations for Use of Trace Detectors
Meets International CE Regulations and Standards



DETECTABLE & TRACEABLE MATERIAL

* The detector's database is an open entry database that allows for operators to add new traceable materials at any time by sample learning and programming technology to be included in future scans.

Explosives

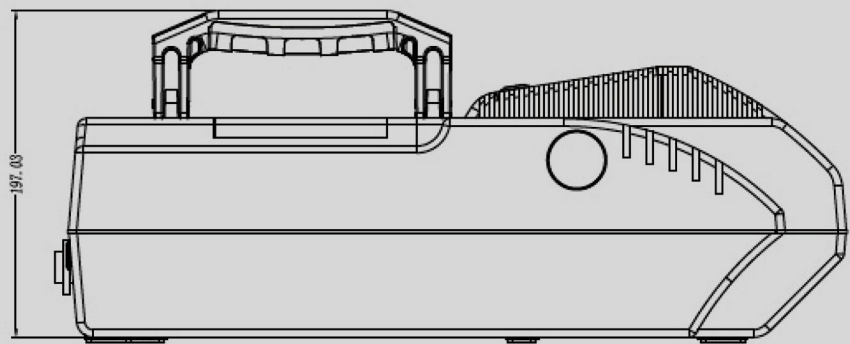
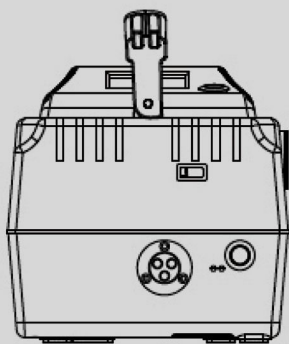
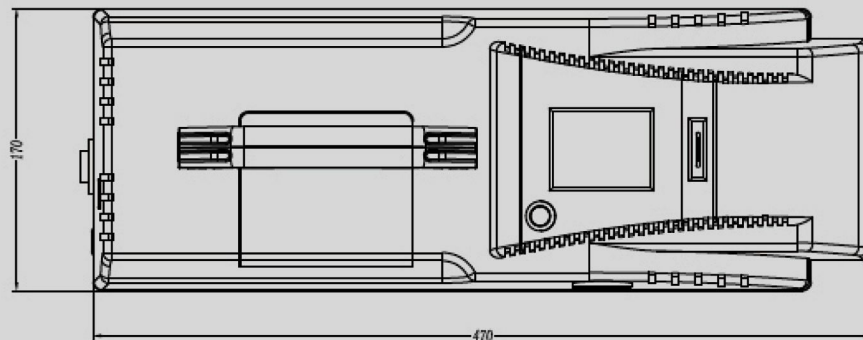
Black Powder
AN
TNT
DNT
Tetry
PETN
Gun Powder
NG
RDX
Fireworks
C4
Others

Narcotics

Cocaine Hydrochloride
Heroin
Tetrahydrocannabinol (THC)
Methamphetamine
Ketamine
Morphine
Others

Note: The above pictures and parameters for reference only, the actual product may differ slightly.

DETECTOR DIMENSIONS



Note: The above pictures and parameters for reference only, the actual product may differ slightly.

TECHNICAL

Product Datasheet

ORDERING INFORMATION

GD-HH-XTD

Hand Held Particle Trace Explosives and Narcotics Detector



Guardex Safety

Guardex trace detectors meet international regulatory requirements safety. Guardex trace detectors have undergone safety research to confirm that have no adverse effect and pose no harm to the human body, children, pregnancy or medical devices such as heart pacemakers. However, advice by doctors and medical professionals should be followed regardless of the above when it comes to trace detectors.

Adkinns
HQ
5063 Commercial Circle,
Concord, CA 94520,
United States
Email
Website
info@guardex.org
www.guardex.org

Guardex warrants all its products against any and all manufacturing defects from the date of product delivery from the factory and/or distribution center. Guardex Lmtd series has a warranty of 3 years

GD-HH-XTD – Datasheet V.001



GUARDEX

©2021, Guardex, Lmtd, all rights reserved . We reserve the right to change the design and specifications without notice. Guardex Lmtd is a specialised security brands that is fully owned by Adkinns Inc.